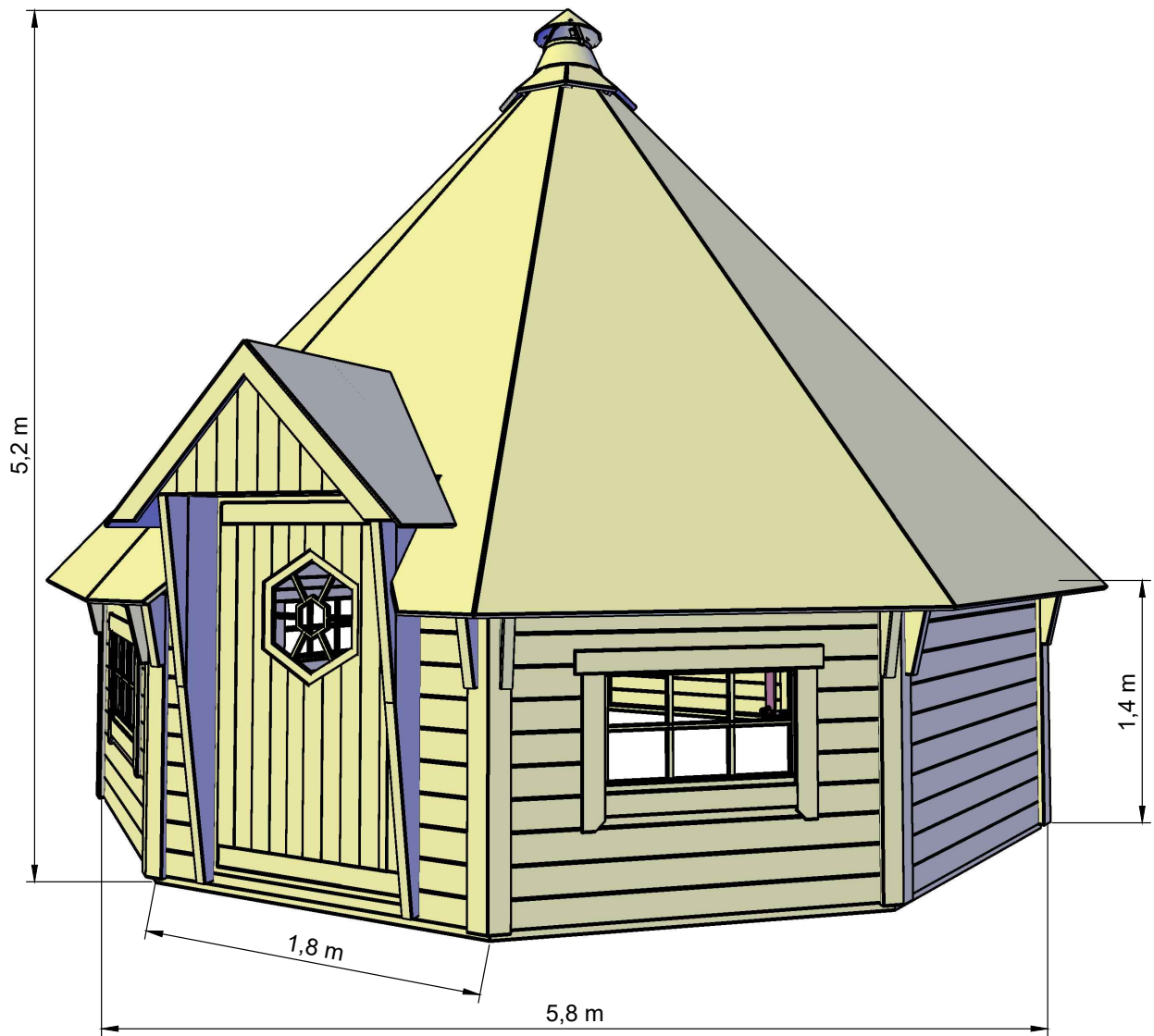


Installation Instructions Kota 25

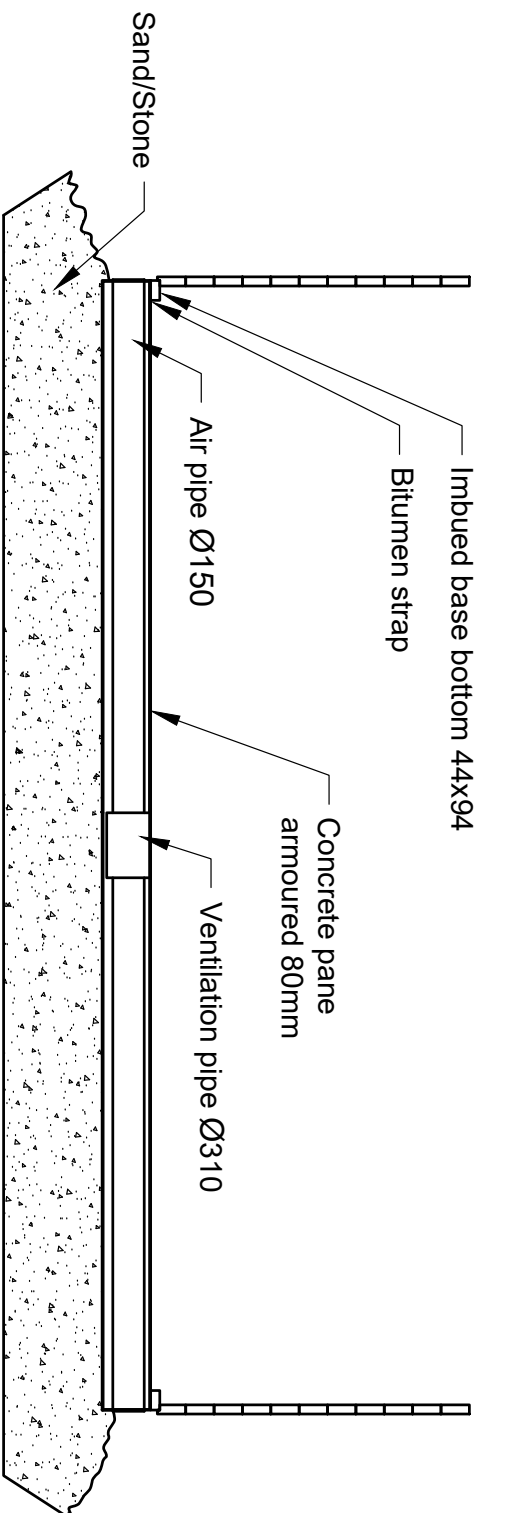
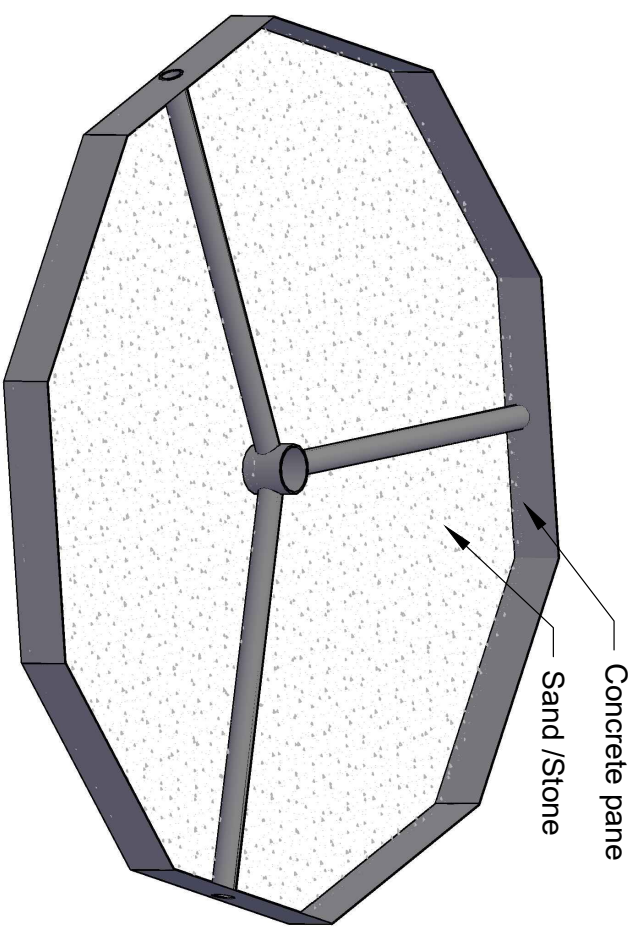
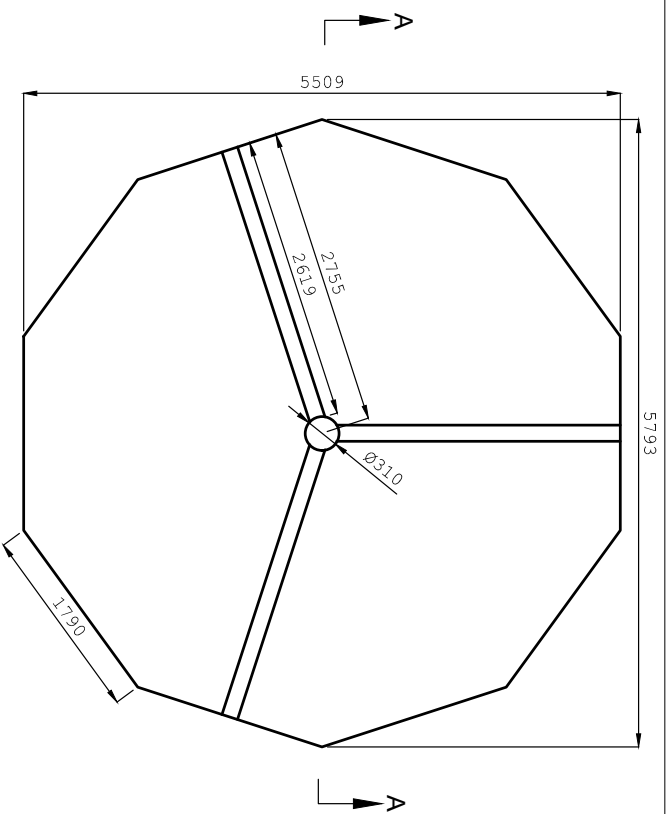
Verification number




ARCTIC FINLAND HOUSE



K 25



Kota 25
Basement

ARCTIC FINLAND HOUSE

Tools



Ø12x400mm



Dear customer,

We are glad that you have decided in favour of our grill house!

Please read the assembly manual carefully before proceeding with the house installation! You will thus avoid problems and will not waste time.

Recommendations:

- Keep the house package until its complete assembly in a dry place, but not in direct contact with the ground, protected from weather conditions (moisture, the sun, etc.). Do not keep the house package in a heated room!
- When selecting the garden house location, make sure that the house will not be subjected to extreme weather conditions (areas of strong snowfall or winds); otherwise you should attach the house (for instance, with anchors) to the subsoil.

Warranty



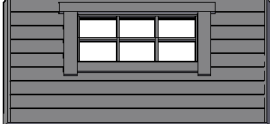
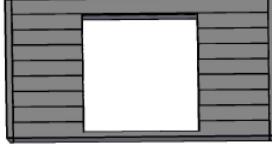





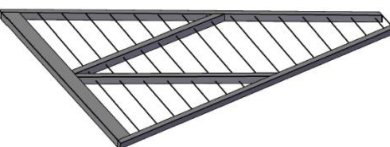
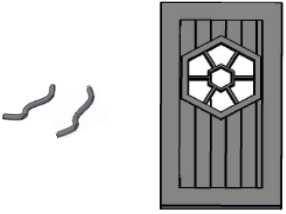

Your house is made from high quality wood and delivered in the natural (unprocessed) form. If, despite our thorough inspection, you should have complaints, please contact to the product seller.

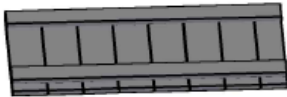



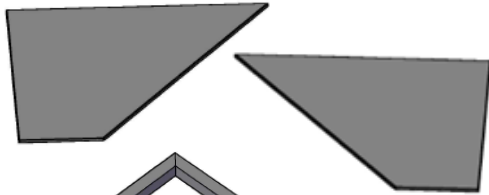





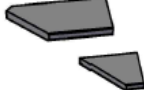




ATTENTION: Please be sure to keep the documentation accompanying the house package! We can only review complaints if you submit the number of the house to the seller!



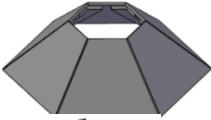



The warranty does not cover:

- Peculiarities of wood as a natural material
- Wooden details already painted (processed with a wood preservative)
- Wooden details containing whole branches that do not endanger the stability of the house
- Colour tone variations caused by wood structure differences that do not influence wood lifetime
- Wooden details containing (caused by drying) small cracks/gaps that do not pass through and do not influence the structure of the house
- Twisted wooden details if they can nevertheless be installed
- Roof and floor boards that may have on their concealed surfaces some non-planed areas, colour differences and waning
- Complaints resulting from an incompetent manner of the installation of the house or the house subsiding due to an incompetently made foundation
- Complaints caused by introducing self-initiative changes to the house, such as the deformation of wooden details and doors/windows due to an incompetent manner of wood processing, etc.

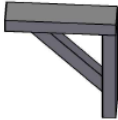




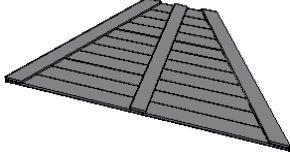

The complaints covered by the warranty are satisfied to the extent of replacing the deficient/faulty material. All other demands will be excluded!

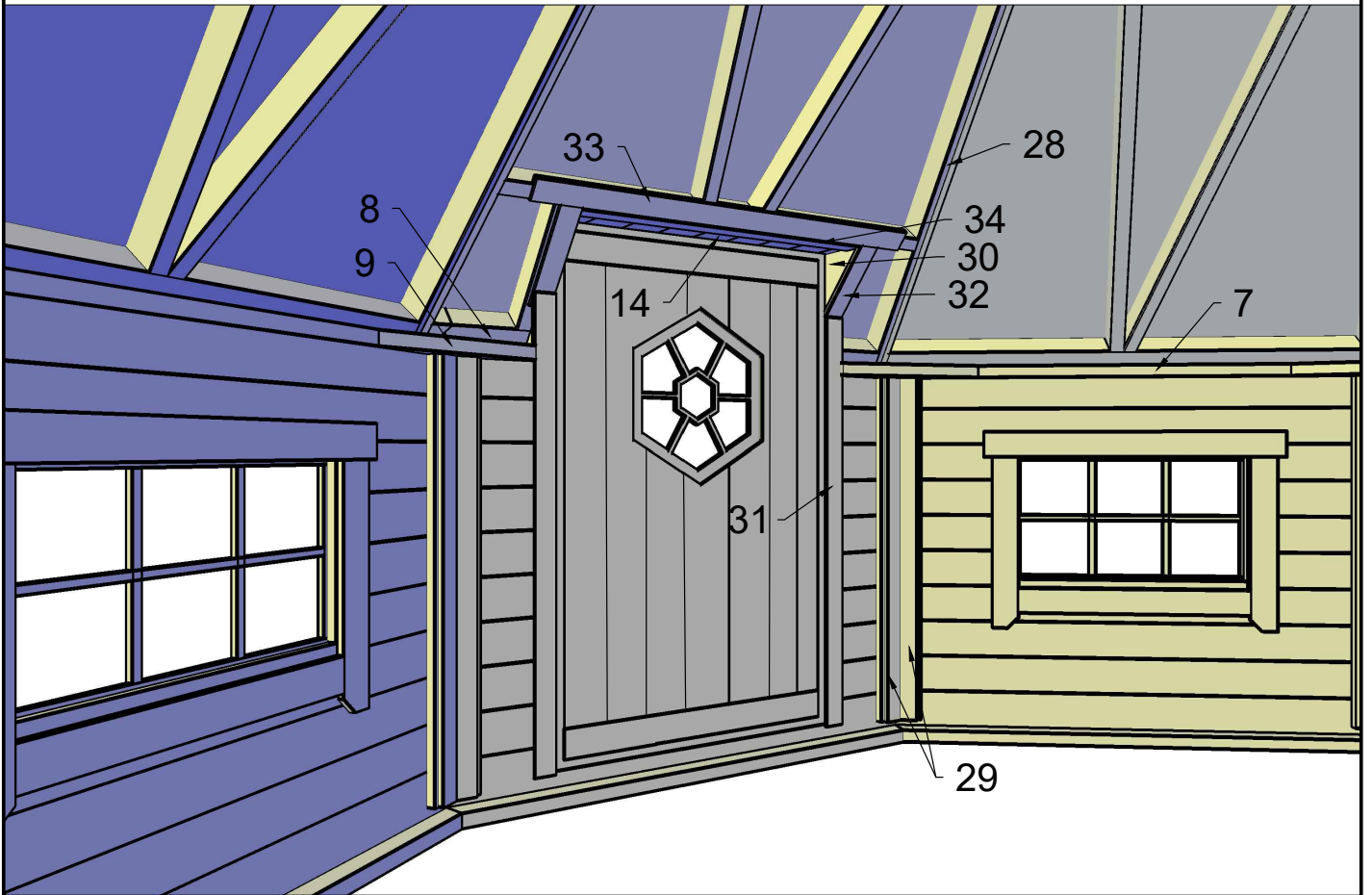
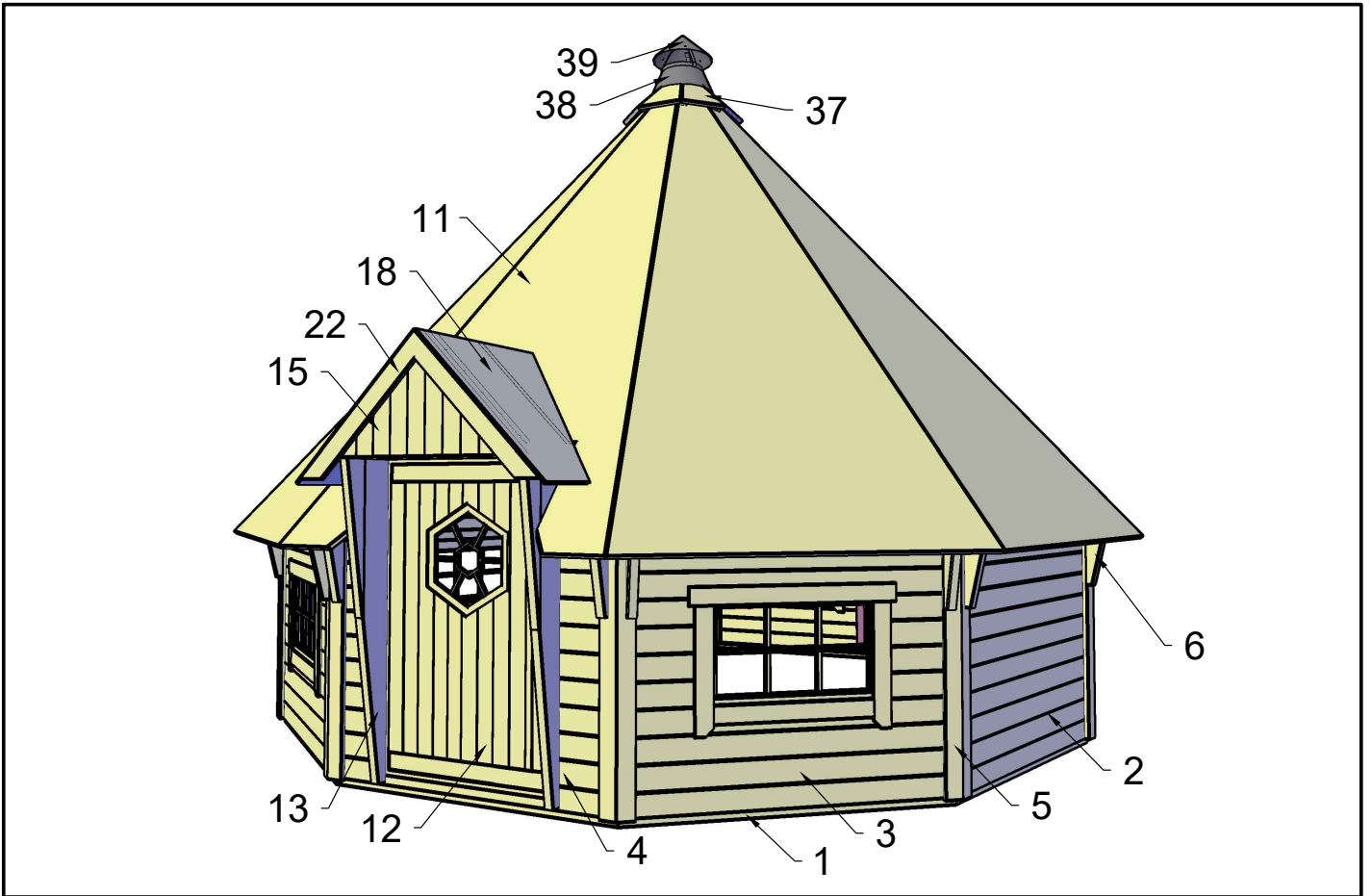
Nr.	Dimensions	Detail	Pcs	✓
1	Wall bottom 1790mm		10	<input type="checkbox"/>
2	The Wall 1335x1803mm		4	<input type="checkbox"/>
3	The wall, window 1335x1803mm		5	<input type="checkbox"/>
4	The wall, door 1335x1803mm		1	<input type="checkbox"/>
5	Outside corner slat 1340mm		10	<input type="checkbox"/>
6	Roof support 338mm		20	<input type="checkbox"/>
7	Roof support belt 1897mm		9	<input type="checkbox"/>
8	Roof support belt 625mm		2	<input type="checkbox"/>
9	Shelf 590mm		10	<input type="checkbox"/>
10	Roof detail		9	<input type="checkbox"/>
11	Roof detail, door		1	<input type="checkbox"/>
12	Door + door handle x 2		1	<input type="checkbox"/>
13	Door side slat (outside) 1760mm		2	<input type="checkbox"/>

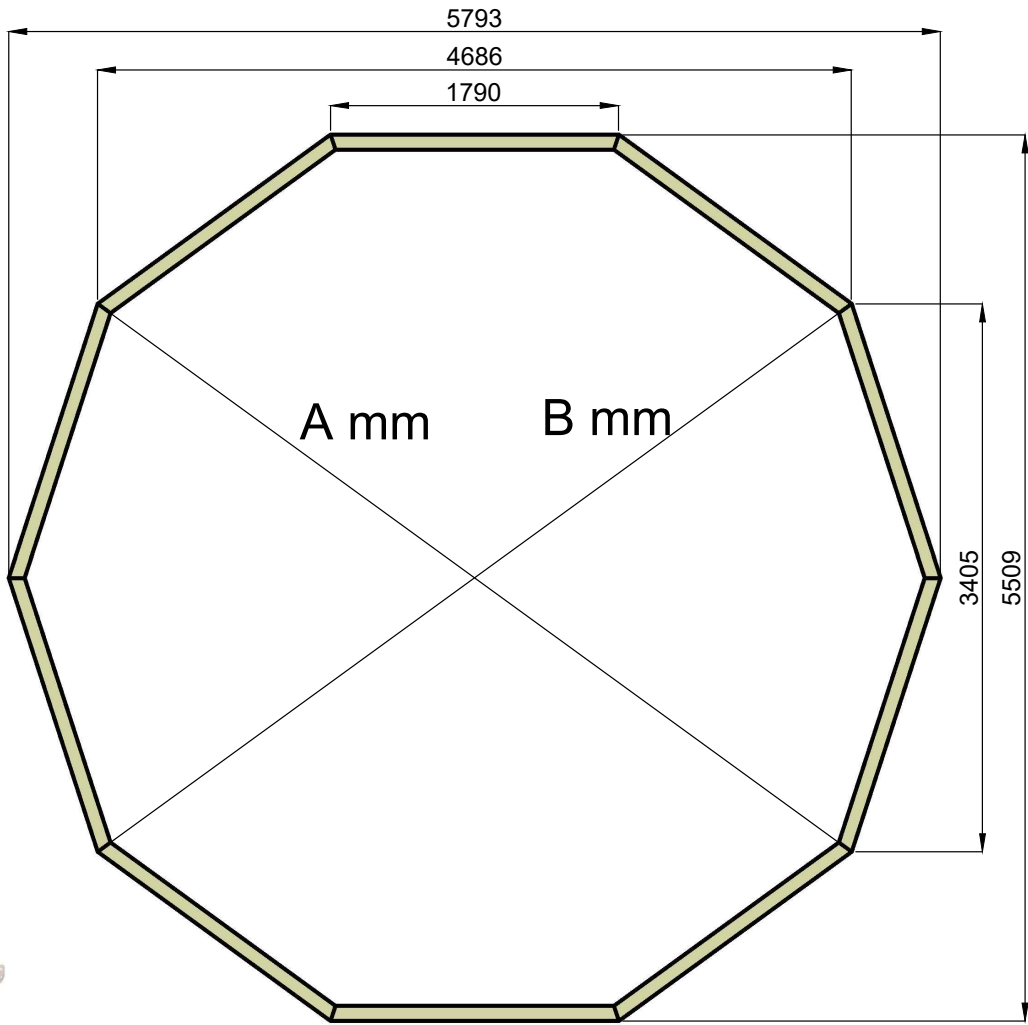
Nr.	Dimensions	Detail	Pcs	✓
14	Small roof bottom		1	<input type="checkbox"/>
15	Covered triangle, small roof		1	<input type="checkbox"/>
16	Uncovered triangle, small roof		1	<input type="checkbox"/>
17	Wind veneer, small roof		2	<input type="checkbox"/>
18	Small roof detail; left, right 465x880mm		2	<input type="checkbox"/>
20	Support triangle, small roof		1	<input type="checkbox"/>
21	Lower edge slat, small roof		2	<input type="checkbox"/>
22	Front covering slat, small roof		2	<input type="checkbox"/>
28	Roof inner slat 4160mm		10	<input type="checkbox"/>
29	Inside corner slat 1303mm		20	<input type="checkbox"/>
30	Filling board for the small roof Left-right side		2+2	<input type="checkbox"/>
31	Door slat (inside) 70x1534mm (side)		2	<input type="checkbox"/>
32	70x280mm (side)		2	<input type="checkbox"/>
33	70x1400mm(up)		1	<input type="checkbox"/>
34	70x1112mm (up)		1	<input type="checkbox"/>

Nr.	Dimensions	Detail	Pcs	✓
35	Connection cover strip 250x1005mm		78	<input type="checkbox"/>
36	Corner connection, door side cover strip roll 0,25x1,2m		1+1	<input type="checkbox"/>
37	Covered pipe detail		1	<input type="checkbox"/>
38	Metal hut		1	<input type="checkbox"/>
39	Metal top		1	<input type="checkbox"/>
40	Roof inner collar		1	<input type="checkbox"/>

EXTRAS

Nr.	Dimensions	Detail	Pcs	✓
23	Console		18	<input type="checkbox"/>
24	Sitting board 1735mm		7	<input type="checkbox"/>
25	Sitting board 1603mm		7	<input type="checkbox"/>
26	Sitting board 1940mm		2	<input type="checkbox"/>
27	Sitting board 1948mm		2	<input type="checkbox"/>
41	Floor detail		10	<input type="checkbox"/>
42	Floor middle detail		1	<input type="checkbox"/>





A mm = B mm

